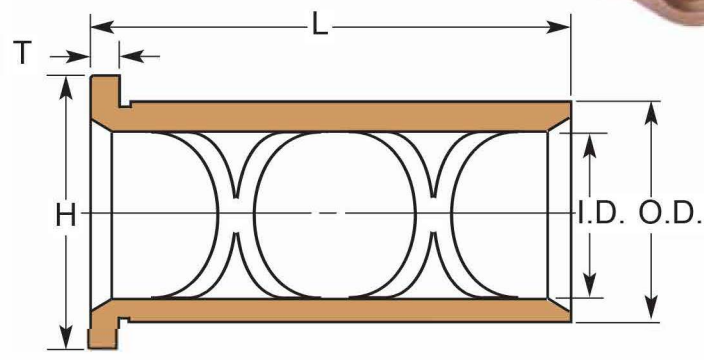


# Buje de Hombro Chapeado en Bronce



Dimensiones generales				
I.D. NOMINAL	I.D. + .0005 - .0000	O.D. + .0005 - .0000	H	T
3/4	.7505	1.1255	1.302	3/16
7/8	.8755	1.2505	1.427	3/16
1	1.0005	1.3755	1.552	3/16
1-1/4	1.2505	1.6255	1.802	3/16
1-1/2	1.5005	2.0005	2.177	3/16
2	2.0005	2.5005	2.677	3/16
2-1/2	2.5005	3.2505	3.427	3/16
3	3.0005	3.7505	3.990	1/2



L LONGITUD	NÚMERO EN CATÁLOGO							
	I.D.= 3/4	I.D.= 7/8	I.D.= 1	I.D.= 1-1/4	I.D.= 1-1/2	I.D.= 2	I.D.= 2-1/2	I.D.= 3
7/8	LBB 06-07	LBB 07-07	LBB 08-07	LBB 10-07	LBB 12-07			
1-3/8	LBB 06-13	LBB 07-13	LBB 08-13	LBB 10-13	LBB 12-13	LBB 16-13	LBB 20-13	
1-7/8	LBB 06-17	LBB 07-17	LBB 08-17	LBB 10-17	LBB 12-17	LBB 16-17	LBB 20-17	
2-3/8	LBB 06-23	LBB 07-23	LBB 08-23	LBB 10-23	LBB 12-23	LBB 16-23	LBB 20-23	
2-7/8	LBB 06-27	LBB 07-27	LBB 08-27	LBB 10-27	LBB 12-27	LBB 16-27	LBB 20-27	
3-3/8	LBB 06-33	LBB 07-33	LBB 08-33	LBB 10-33	LBB 12-33	LBB 16-33	LBB 20-33	
3-7/8	LBB 06-37	LBB 07-37	LBB 08-37	LBB 10-37	LBB 12-37	LBB 16-37	LBB 20-37	LBB 24-37
4-3/8	LBB 06-43	LBB 07-43	LBB 08-43	LBB 10-43	LBB 12-43	LBB 16-43	LBB 20-43	
4-7/8	LBB 06-47	LBB 07-47	LBB 08-47	LBB 10-47	LBB 12-47	LBB 16-47	LBB 20-47	LBB 24-47
5-7/8	LBB 06-57	LBB 07-57	LBB 08-57	LBB 10-57	LBB 12-57	LBB 16-57	LBB 20-57	LBB 24-57
7-7/8								LBB 24-77

# Buje Recto Chapeado en Bronce



# EN CATÁLOGO	I.D. NOMINAL	I.D. + .0005 - .0000	O.D. + .0005 - .0000	L
STB 06-07	3/4	.7505	1.1255	7/8
STB 06-13	3/4	.7505	1.1255	1-3/8
STB 07-13	7/8	.8755	1.2505	1-3/8
STB 08-13	1	1.0005	1.3755	1-3/8
STB 10-13	1-1/4	1.2505	1.6255	1-3/8
STB 10-17	1-1/4	1.2505	1.6255	1-7/8
STB 12-13	1-1/2	1.5005	2.0005	1-3/8
STB 12-17	1-1/2	1.5005	2.0005	1-7/8
STB 16-37	2	2.0005	2.5005	3-7/8
STB 20-47	2-1/2	2.5005	3.2505	4-7/8

