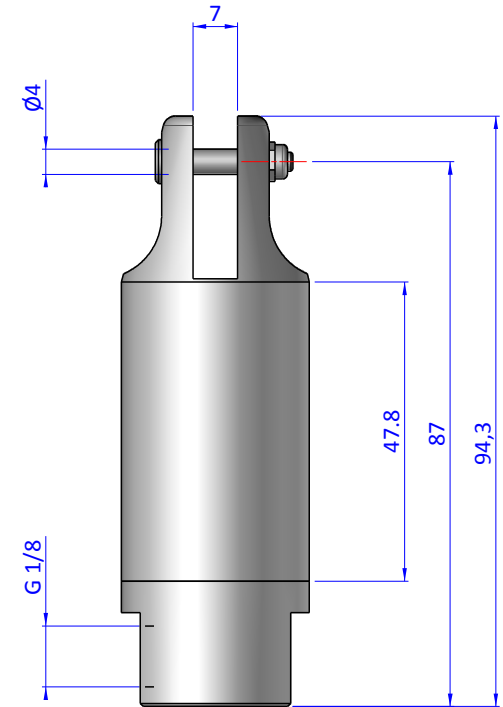
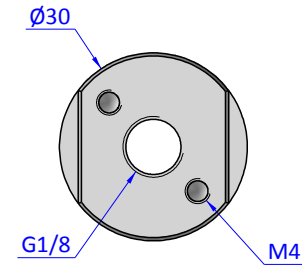
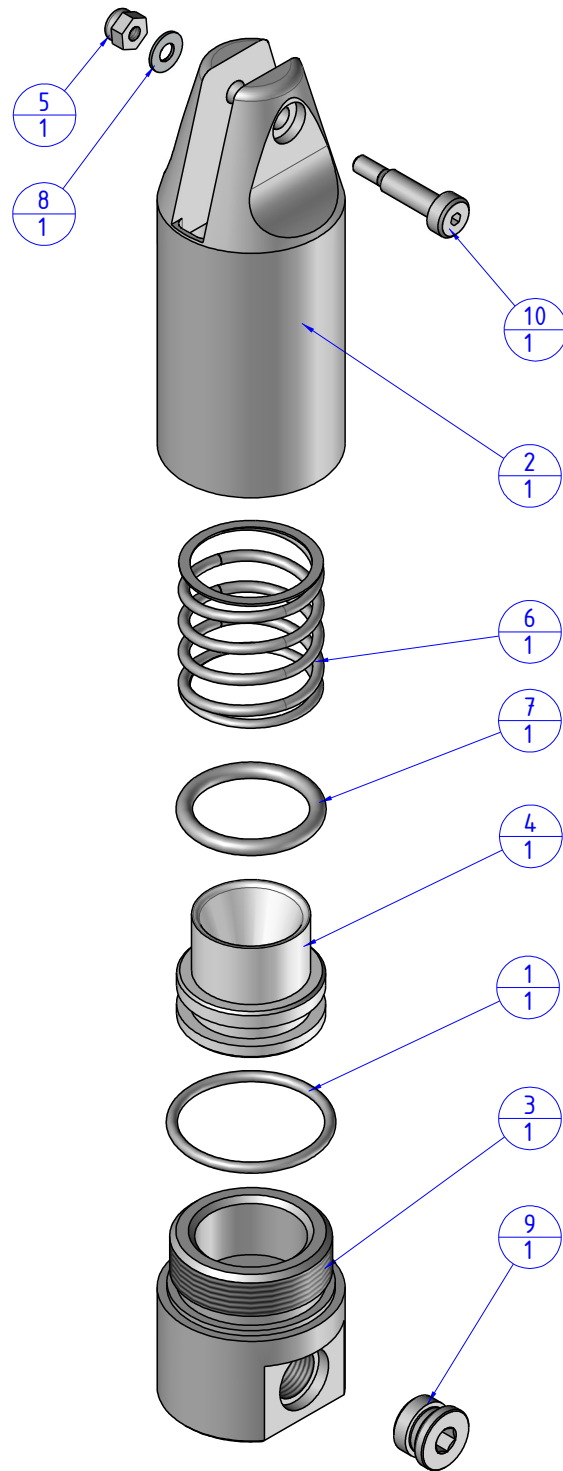


THE PROPERTY OF THE DRAWING IS ESTABLISHED BY LAW. IT IS FORBIDDEN TO PRODUCE OR SHOW IT TO THIRD PARTY, WITHOUT A WRITTEN AGREEMENT.

Item	Name	Q.ty
1	OR.2093	1
2	10.01.010.1	1
3	10.01.010.2	1
4	10.01.010.3	1
5	D.3AUT	1
6	M.23.1X40.5	1
7	OR.3075	1
8	R.3	1
9	CM.S2610.18	1
10	V.UMB.04.12.M3	1



Format A3

UNI 936-76

		DESIGNED FROM	REVIEW
		FP SERVICES	A / 24
GENERAL TOLERANCE	DESCRIPTION	DATE	WEIGHT
UNI - ISO 2768		14/01/2019	0,096kg
CLASSE f	CA.ATE.05M	CODE	CA.ATE.05M