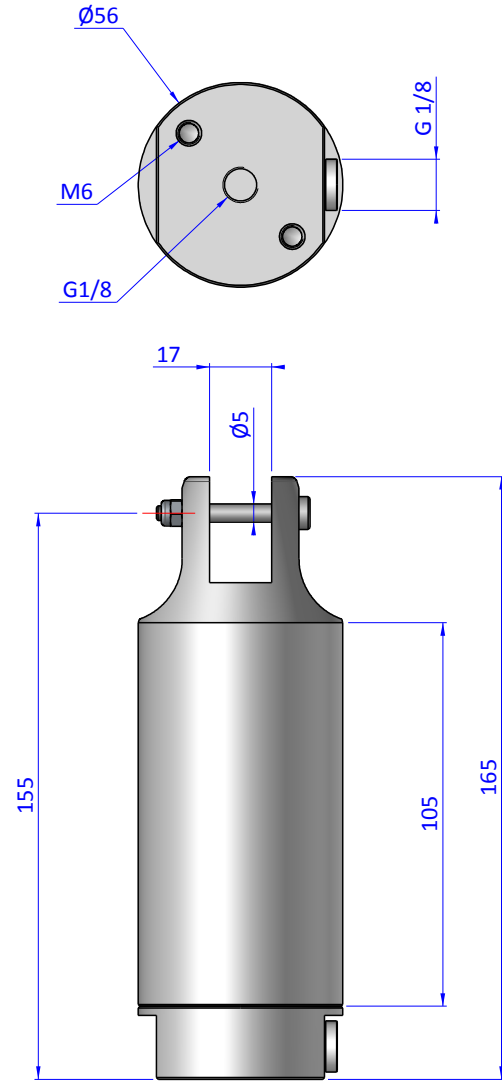
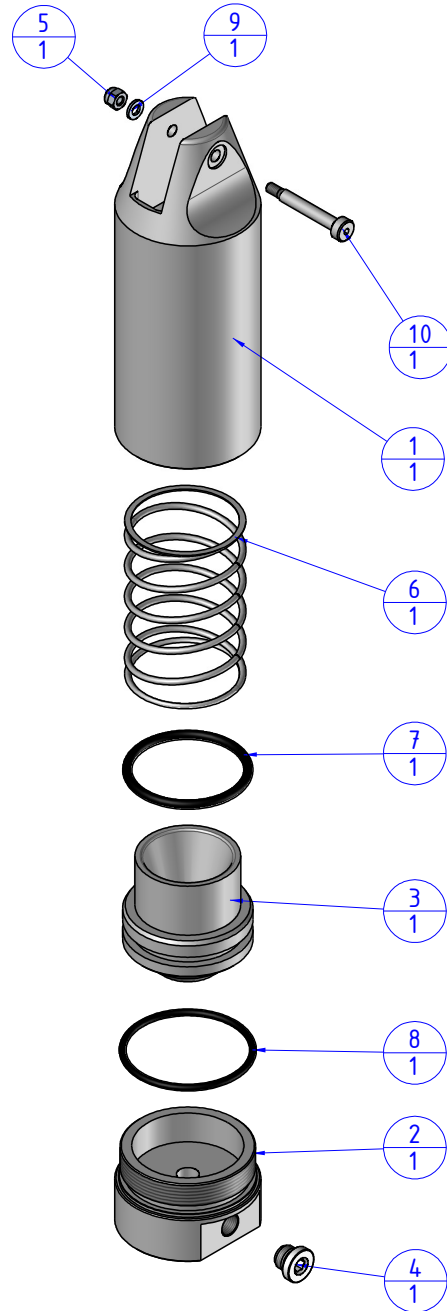


THE PROPERTY OF THE DRAWING IS ESTABLISHED BY LAW. IT IS FORBIDDEN TO PRODUCE OR SHOW IT TO THIRD PARTY, WITHOUT A WRITTEN AGREEMENT.

Item	Name	Q.ty
1	10.01.004.1	1
2	10.01.004.2	1
3	10.01.004.3	1
4	CA.08.14.014	1
5	D.4AUT	1
6	M.46,5X96	1
7	OR.147	1
8	OR.3187	1
9	R.4	1
10	V.UMB.05.30.M4	1



Format A3

UNI 936-76

		DESIGNED FROM		REVIEW
		FPSERVICES		A
GENERAL TOLERANCE		DATE	WEIGHT	
UNI - ISO 2768		24/04/2018	0,450kg	
CLASSE f		CODE		
		CA.ATE.30AM		CA.ATE.30AM