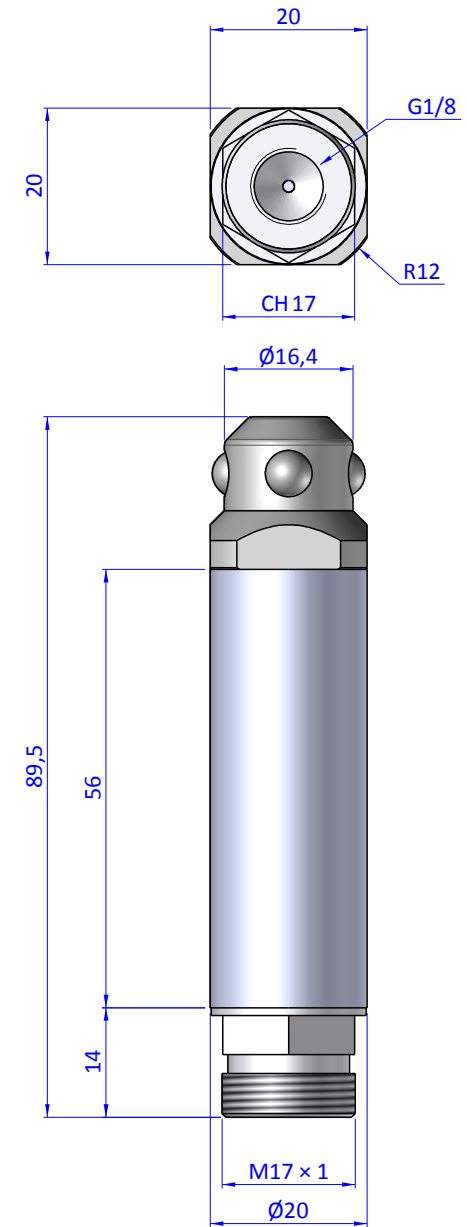
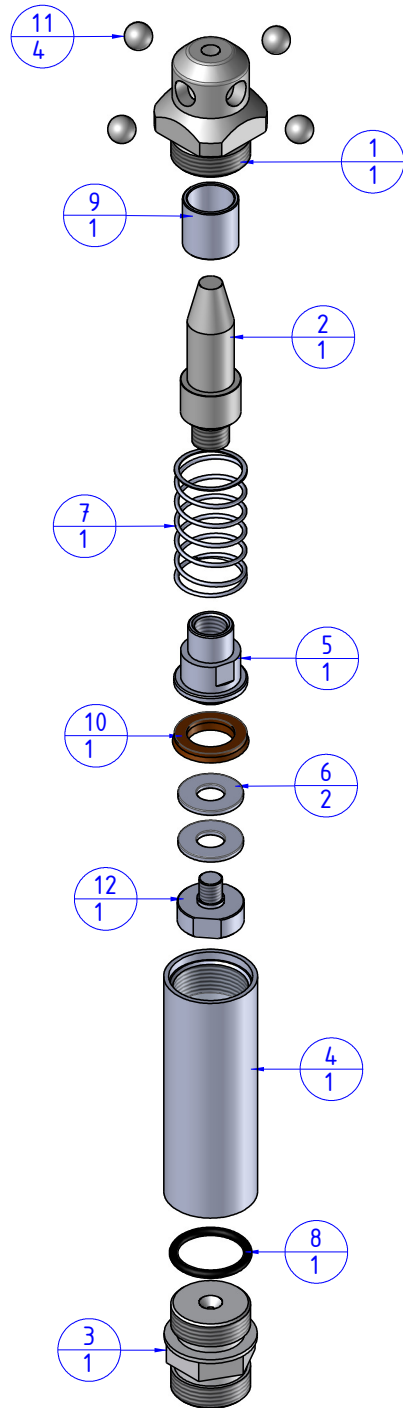


THE PROPERTY OF THE DRAWING IS ESTABLISHED BY LAW. IT IS FORBIDDEN TO PRODUCE OR SHOW IT TO THIRD PART. WITHOUT A WRITTEN AGREEMENT.

Object Number	Name	QTY
1	AGP.20.1	1
2	AGP.20.2	1
3	GRF20.95.01	1
4	GRF20.95.02	1
5	GRF20.95.03	1
6	GRF20.95.10	2
7	M.GRF.2095.1	1
8	OR.2056	1
9	PAP.101210	1
10	PSP.1610255	1
11	SFERA.06	4
12	GRF20.95.03.2	1



Format A3

UNI 936-76

		DESIGNED FROM	REVIEW
		FP SERVICES	A
GENERAL TOLERANCE	DESCRIPTION	DATE	WEIGHT
UNI - ISO 2768	CA.AGP.20.G	04/02/2019	0,098kg
CLASSE f		CODE	
			CA.AGP.20.G