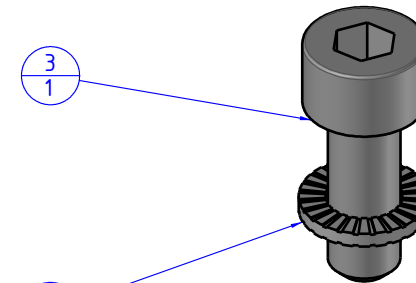
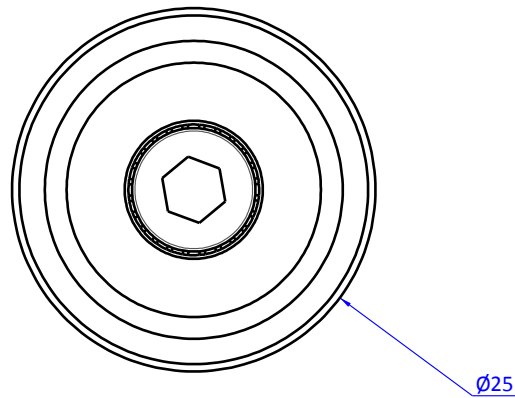
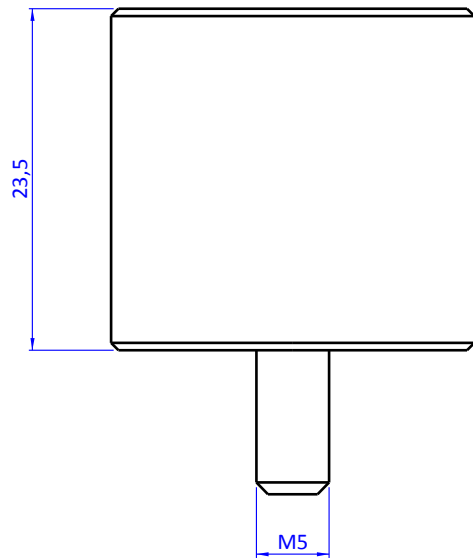


THE PROPERTY OF THE DRAWING IS ESTABLISHED BY LAW
IT IS FORBIDDEN TO PRODUCE OR SHOW IT TO THIRD PART
WITHOUT A WRITTEN AGREEMENT.

MODIFICATIONS	NUMBER	DATE
7		
8		
9		
10		
11		
12		

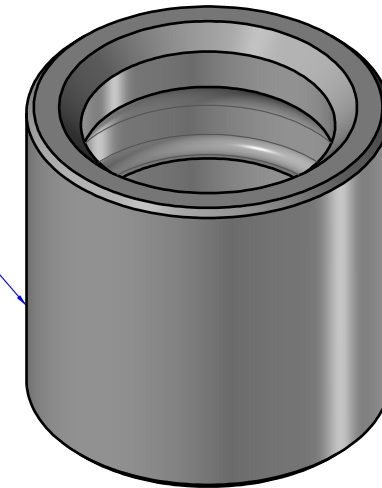
MODIFICATIONS	NUMBER	DATE
1	23-5-2016	
2	30-5-2016	
3		
4		
5		
6		

Format A3
UNI 936-76



2
1

1
1



Object Number	Name	QTY
1	AGP.20.M	1
2	R.5.SCH	1
3	V.TCE5 x 14	1

		DESIGNED FROM	
		FPSERVICES	
		DATE	WEIGHT
		15/10/2016	0,004kg
GENERAL TOLERANCE UNI - ISO 2768 CLASSE f		CODE CA.AGP.20.M	