

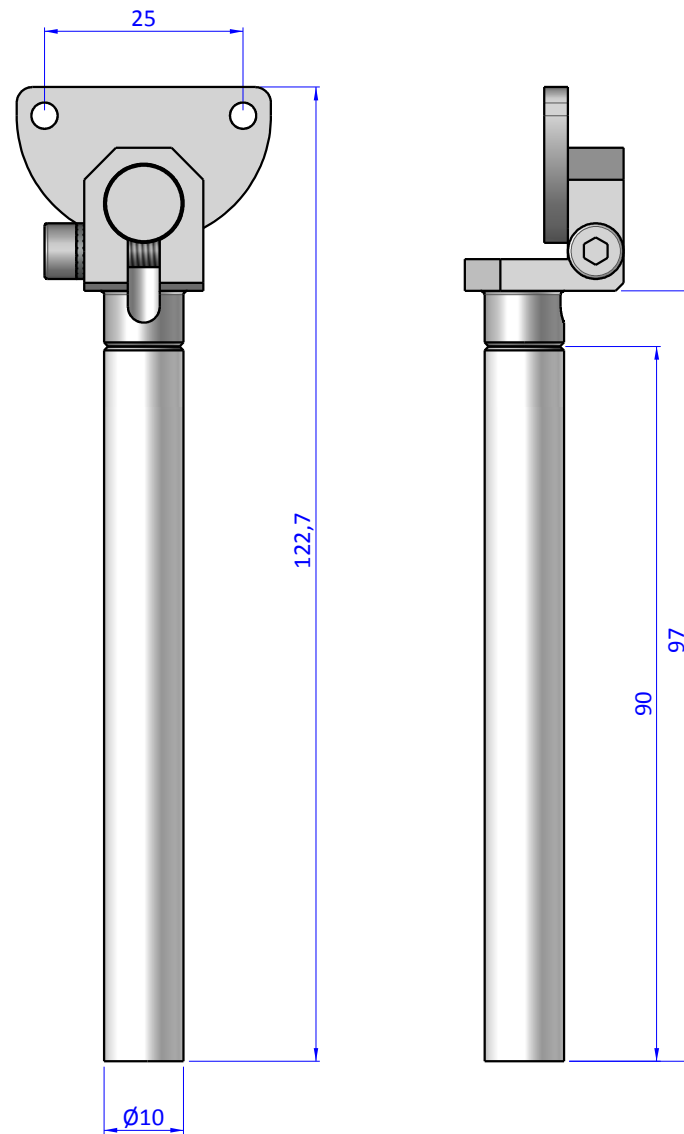
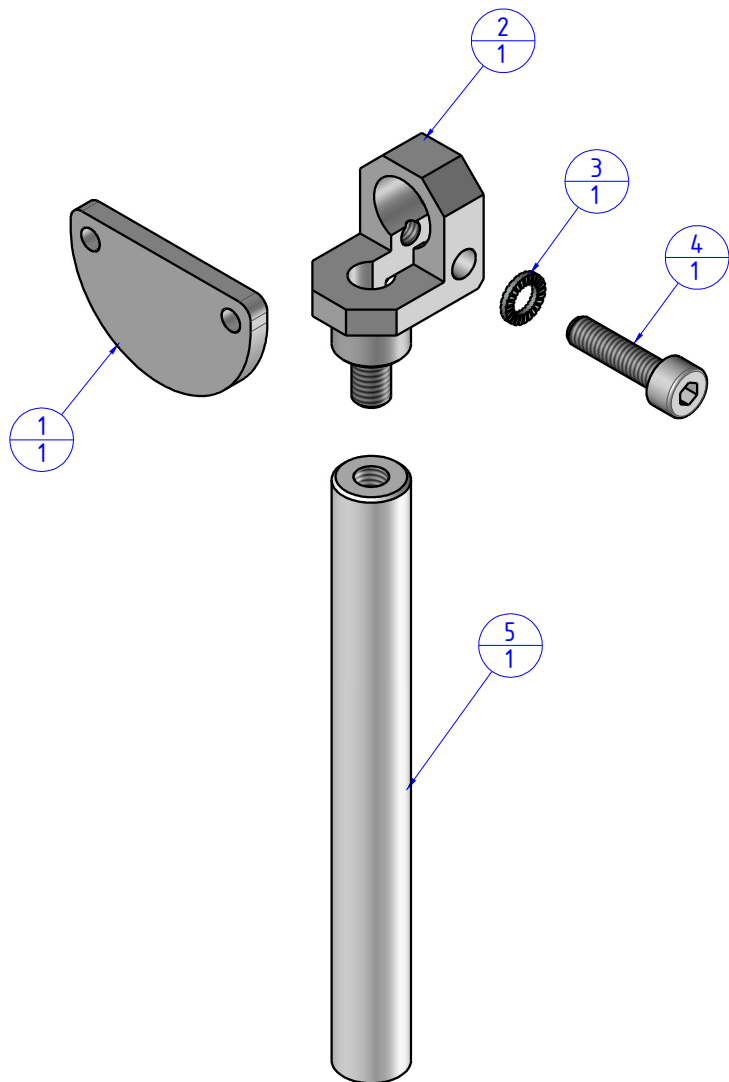
THE PROPERTY OF THE DRAWING IS ESTABLISHED BY LAW
IT IS FORBIDDEN TO PRODUCE OF SHOW IT TO THIRD PARTY
WITHOUT A WRITTEN AGREEMENT.

MODIFICATIONS	VARIED DIMENSIONS AS OF DATE:		
7	10	11	12
8			
9			

MODIFICATIONS	VARIED DIMENSIONS AS OF DATE:		
1	4	5	6
2			
3			

Format A3
UNI 936-76

Item	Name	Q.ty
1	ATK.10.10.3	1
5	GGB.10.90.1	1
3	R.4.SCH	1
2	SSN.10100505.1	1
4	V.TCE4x16	1



		DESIGNED FROM		REVIEW
		FPSERVICES		A / 0
GENERAL TOLERANCE		DATE	WEIGHT	
UNI - ISO 2768		25/01/2018	0,025kg	
CLASSE f		CODE		
		CA.ATK.10.10.90		