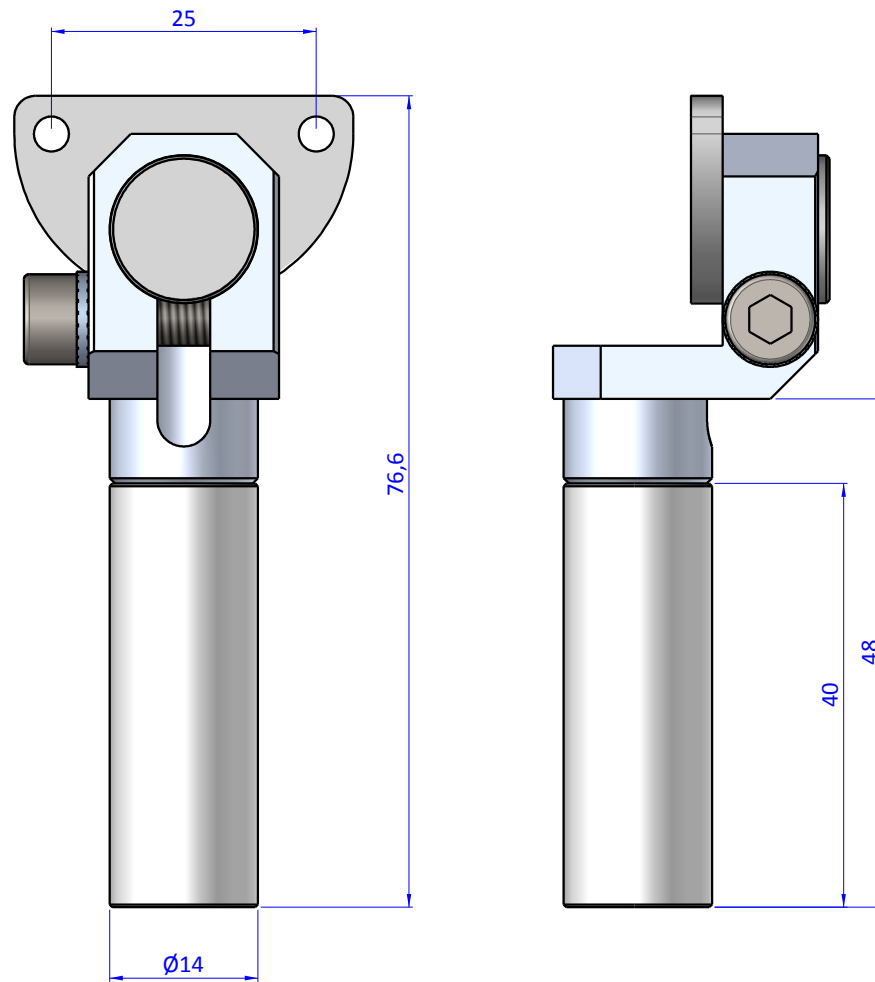
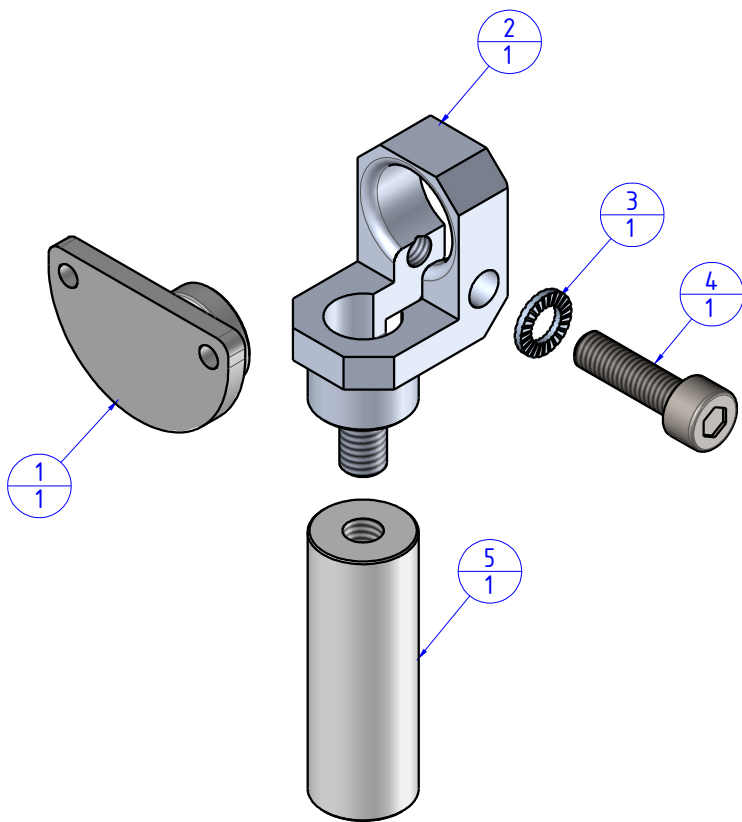


THE PROPERTY OF THE DRAWING IS ESTABLISHED BY LAW
IT IS FORBIDDEN TO PRODUCE OR SHOW IT TO THIRD PARTY
WITHOUT A WRITTEN AGREEMENT.

Item	Name	Q.ty
1	ATK.10.14.3	1
2	SSN.14201818.1	1
3	R.5.SCH	1
4	V.TCE5x18	1
5	GGB.14.40.1	1



MODIFICATIONS

7	10
8	11
9	12

VARIED DIMENSIONS AS OF DATE:

MODIFICATIONS

1	4
2	5
3	6

VARIED DIMENSIONS AS OF DATE:

Format A3

UNI 936-76

		DESIGNED FROM		REVIEW
		FPSERVICES		A / 0
GENERAL TOLERANCE		DATE	WEIGHT	
UNI - ISO 2768		25/01/2018	0,033kg	
CLASSE f		CODE		
		CA.ATK.10.14.40		