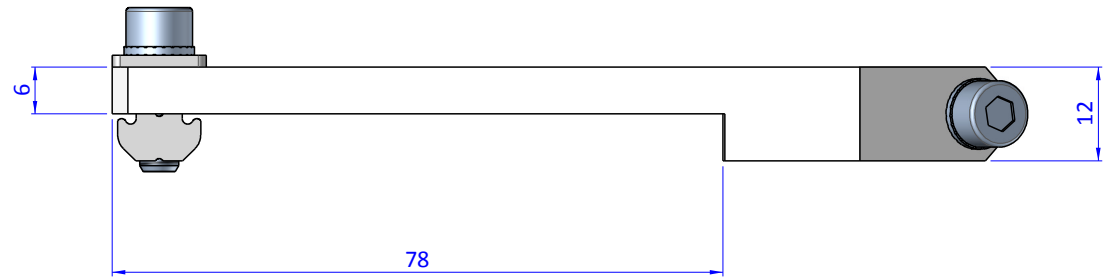
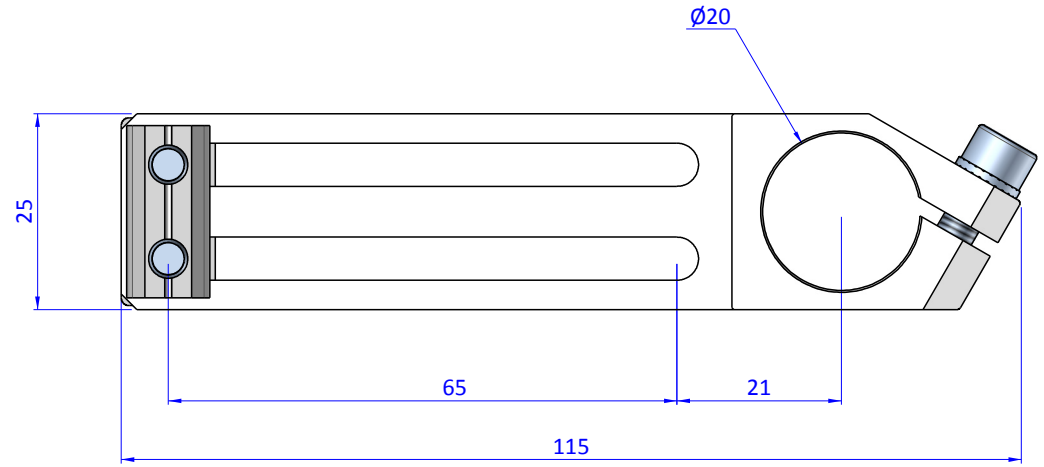
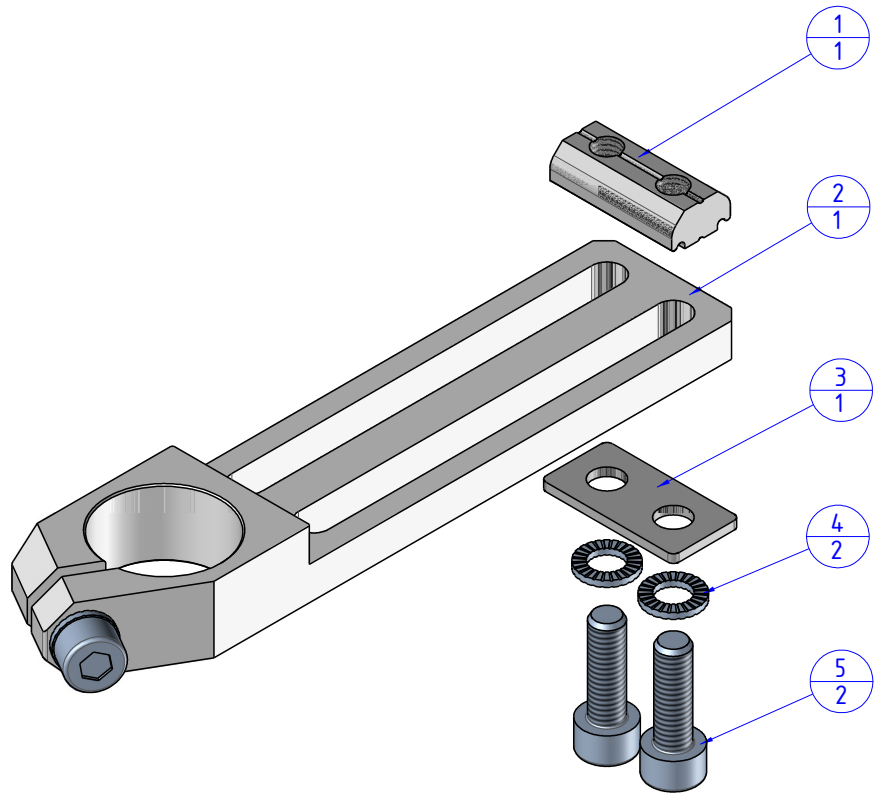


THE PROPERTY OF THE DRAWING IS ESTABLISHED BY LAW. IT IS FORBIDDEN TO PRODUCE OR SHOW IT TO THIRD PARTY, WITHOUT A WRITTEN AGREEMENT.

| Item | Name | Q. ty |
|------|---------------|-------|
| 1 | CA.GWP.5.12 | 1 |
| 2 | CA.WSL.2060.U | 1 |
| 3 | R.05.12 | 1 |
| 4 | R.5.SCH | 2 |
| 5 | V.TCE5x16 | 2 |



Format A3

UNI 936-76

| | | | | |
|---|--|-----------------------------|-------------------|-------------|
| FP SERVICES AUTOMATION | | DESIGNED FROM FPSERVICES | | REVIEW A |
| GENERAL TOLERANCE UNI - ISO 2768 CLASSE f | | DATE 14/11/2018 | WEIGHT 0,057kg | |
| | | CODE CA.WSL.2060.U.X | | |