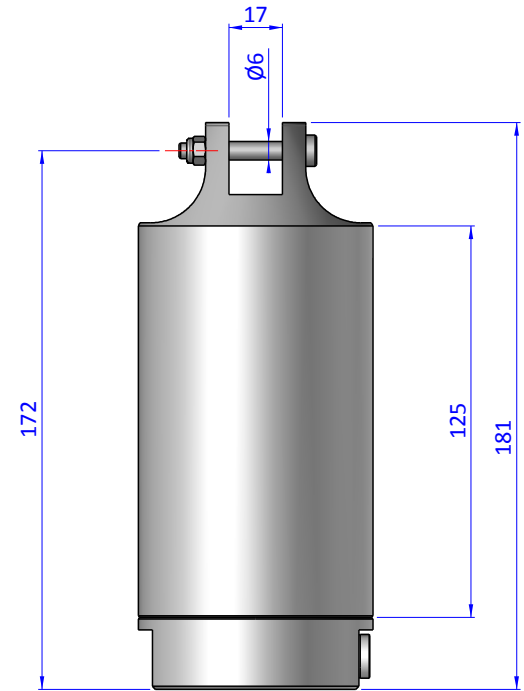
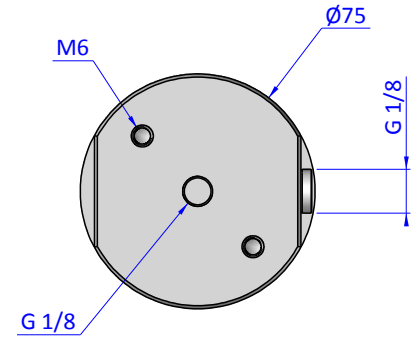
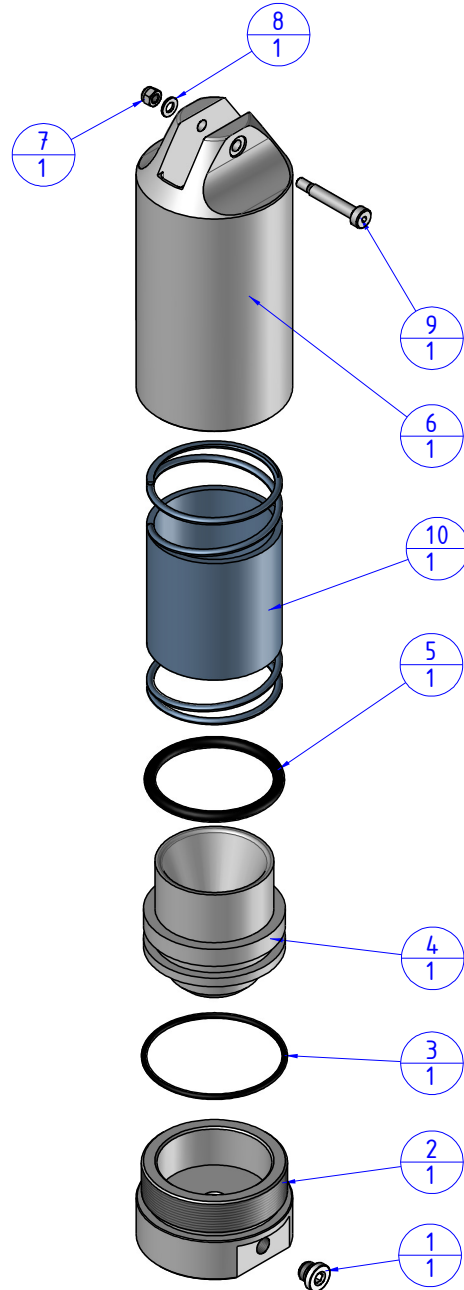


THE PROPERTY OF THE DRAWING IS ESTABLISHED BY LAW. IT IS FORBIDDEN TO PRODUCE OR SHOW IT TO THIRD PARTY, WITHOUT A WRITTEN AGREEMENT.

Item	Name	Q.ty
1	CA.08.14.014	1
2	10.01.002.2	1
3	OR.3256	1
4	10.01.002.3	1
5	OR.6225	1
6	10.01.002.1	1
7	D.5AUT	1
8	R.5	1
9	V.UMB.06.30.M5	1
10	M.65X122	1



Format A3

UNI 936-76

		DESIGNED FROM		REVIEW
		FPSERVICES		A
GENERAL TOLERANCE		DATE	WEIGHT	
UNI - ISO 2768		26/04/2018	0,908kg	
CLASSE f		CODE		
		CA.ATE.50AM		CA.ATE.50AM