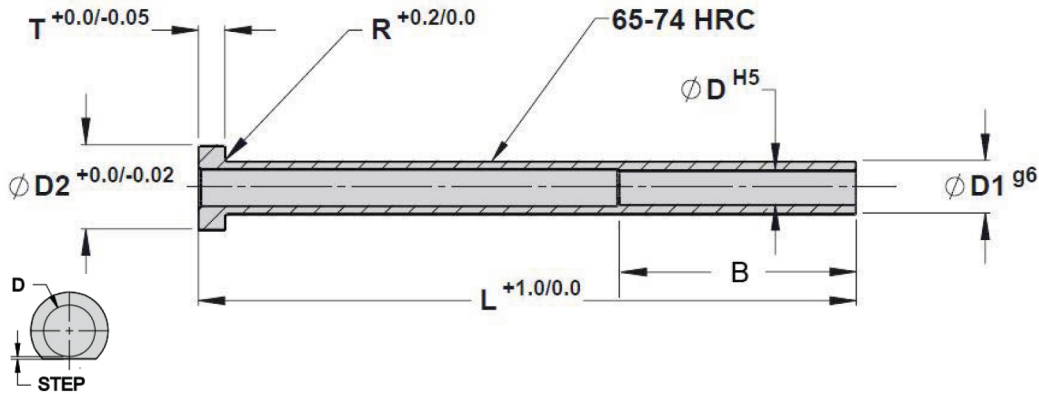


Metric DIN Nitrided Ejector Sleeves - D Head

- Nitrided O.D. and I.D. 65 - 74 Rc
- Custom sizes available upon request

SPECIFICATIONS	
D I.D. Tolerance	H5
D1 O.D. Tolerance	g6
D2 Head Diameter Tolerance	+0.000 / -.250
T Head Thickness Tolerance	+0.0000 / -.0508
Bearing Length Tolerance	+2.00
R Pin to Head Radius Tolerance	+0.20
L Overall Length Tolerance	+0.813 / -.000
Step Tolerance	0 / +0.1
I.D. Hardness	65 - 74 Rc
O.D. Hardness	65 - 74 Rc



Standard: Metric DIN
 Material: H-13 / 1.2344 Steel
 Surface Treatment: Nitrided 65 - 74 HRC

- Stocked items
- 2-3 Week Delivery

CATALOG NO.	D I.D.	D1 O.D.	D2 HEAD DIA.	T HEAD THICK.	B BEARING LENGTH	R RADIUS	L OVERALL LENGTH	
							175	100
DS850-	5.0	8	14	5	45	0.5	●	●

Add length to end of catalog number (i.e. DS850-175)